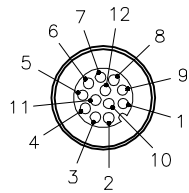


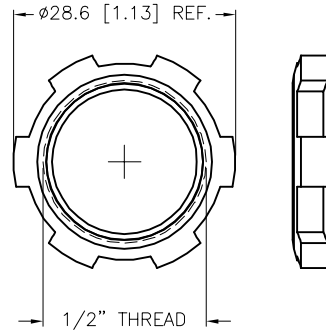
FEMALE END VIEW



- 1 = BLUE/YELLOW
- 2 = BLUE/YELLOW
- 3 = BLUE/YELLOW
- 4 = BLUE/YELLOW
- 5 = BLUE/YELLOW
- 6 = BLUE/YELLOW
- 7 = BLUE/YELLOW
- 8 = BLUE/YELLOW
- 9 = BLUE/YELLOW
- 10 = BLUE/YELLOW
- 11 = BLUE/YELLOW
- 12 = BLUE/YELLOW

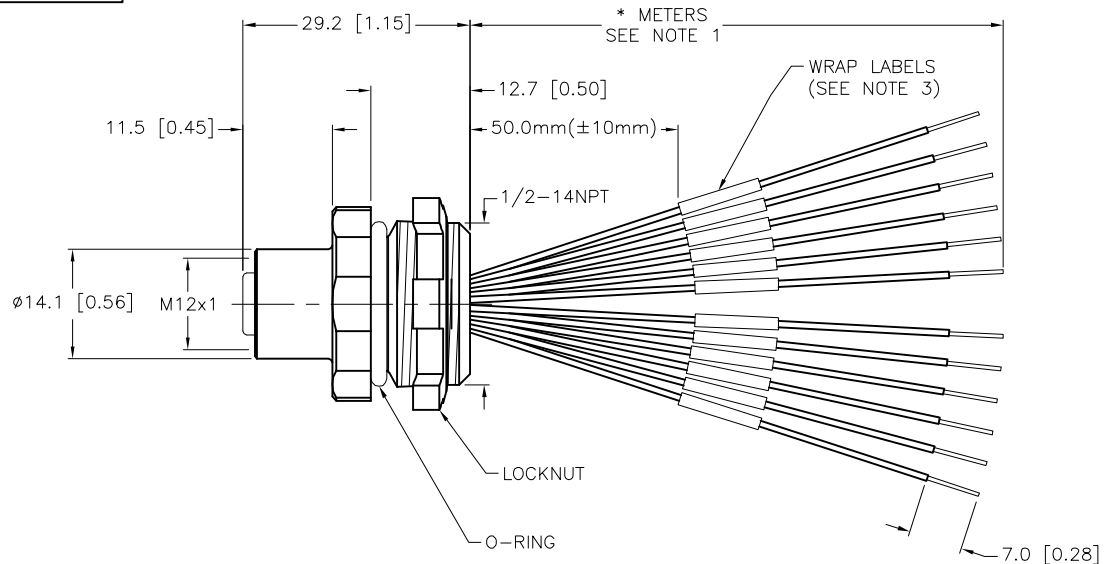
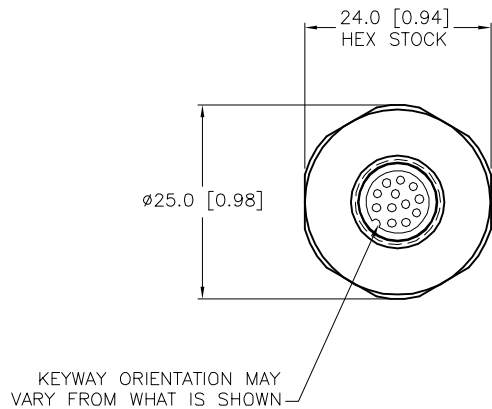


LOCKNUT



SPECIFICATIONS

CONTACT CARRIER MATERIAL	NYLON OR TPU
CONTACT MATERIAL/PLATING	BRASS/GOLD
HOUSING MATERIAL/PLATING	BRASS/NICKEL
O-RING MATERIAL	NITRILE
RATED CURRENT [A]	2.0 A
RATED VOLTAGE [V]	30 V
CONDUCTOR INSULATION MATERIAL	PVC
NUMBER OF CONDUCTORS [AWG]	12x24 AWG
TEMPERATURE RANGE	-40°C to +105°C (-40°F to +221°F)
PROTECTION CLASS	MEETS NEMA 1,3,4,6P AND IEC IP68



CABLE LENGTH	TOLERANCE*
ALL LENGTHS	+ 4% (OR 50mm) OF LENGTH - 0% (OR 0mm) OF LENGTH WHICHEVER IS GREATER
STRIP LENGTH	TOLERANCE*
0-7mm	$\pm 0.5\text{mm}$
8-29mm	$\pm 1.0\text{mm}$
30-49mm	$\pm 2.0\text{mm}$
50-69mm	$\pm 3.0\text{mm}$
70-100mm	$\pm 4.0\text{mm}$
OVER 100mm	$\pm 5.0\text{mm}$

\* UNLESS OTHERWISE SPECIFIED

SOURCE DRAWING - FOR REFERENCE ONLY

NOTES:

- "\*" INDICATES LEAD LENGTHS IN METERS. CONTACT TURCK TO ORDER SPECIFIC LENGTHS.
- "/CS11155" DESIGNATES CUSTOM PINOUT. FRONT MOUNT RECEPTACLES TO INCLUDE LOCKNUT AND O-RING
- WRAP LABELS ON ALL SAME COLORED CONDUCTORS. WRAP LABELS NUMBERED WITH CORRESPONDING WIRE IDENTIFICATION NUMBERS. ("1" EQUALS "BLUE/YELLOW #1")

RELATED DOCUMENTS 1. 2. 3. 4.	3RD ANGLE PROJECTION	THIS DRAWING IS CONFIDENTIAL AND THE PROPERTY OF TURCK INC. USE OF THIS DOCUMENT WITHOUT WRITTEN PERMISSION IS PROHIBITED.	3000 CAMPUS DRIVE MINNEAPOLIS, MN 55441 1-800-544-7769 (763) 553-7300 (763) 553-0708 fax www.turck.us				
			DRFT *CK	DATE 12/14/10	DESCRIPTION FK 12-*/14.5/NPT/CS11155		
MATERIAL SEE SPECIFICATIONS	ALL DIMENSIONS DISPLAYED ON THIS DRAWING ARE FOR REFERENCE ONLY	APVD	SCALE 1=1.0	IDENTIFICATION NO.			
FINISH SEE SPECIFICATIONS		CONTACT TURCK FOR MORE INFORMATION	UNIT OF MEASUREMENT <b>MILLIMETER [ INCH ]</b>		REV C		
C UPDATE VOLTAGE RATING		CBM	02/21/23	78300	DO NOT SCALE THIS DRAWING	FILE: 777027061	SHEET 1 OF 1
REV	DESCRIPTION	BY	DATE	ECO NO.			